

N.O.F. / Inc.



4' Douglas Recycled Plastic Bench - Portable/Surface Mount.

- Also available 6' and 8' lengths.
- 230 lbs.
- Dim: 48"W x 32 1/2" Ht.
- Made with sixteen 2" x 4" recycled plastic slats and four black powdercoated bases.
- All holes are predrilled and countersunk for plastic lumber.
- Pre-drilled for surface mounting purposes.
- Includes a UV protectant.
- Maintenance free.
- Slats available in green, cedar and gray with black base.
- Some assembly required.

Item# JP PB4DOUG

Model Number	Weight	Dimensions
JP PB4DOUG	230 Lbs.	48"W x 32 1/2" Ht.- 4 Bases
JP PB6DOUG	335 Lbs.	72"W x 32 1/2" Ht.- 6 Bases
JP PB8DOUG	440 Lbs.	96"W x 32 1/2" Ht.- 8 Bases

Resinwood Slat Colors



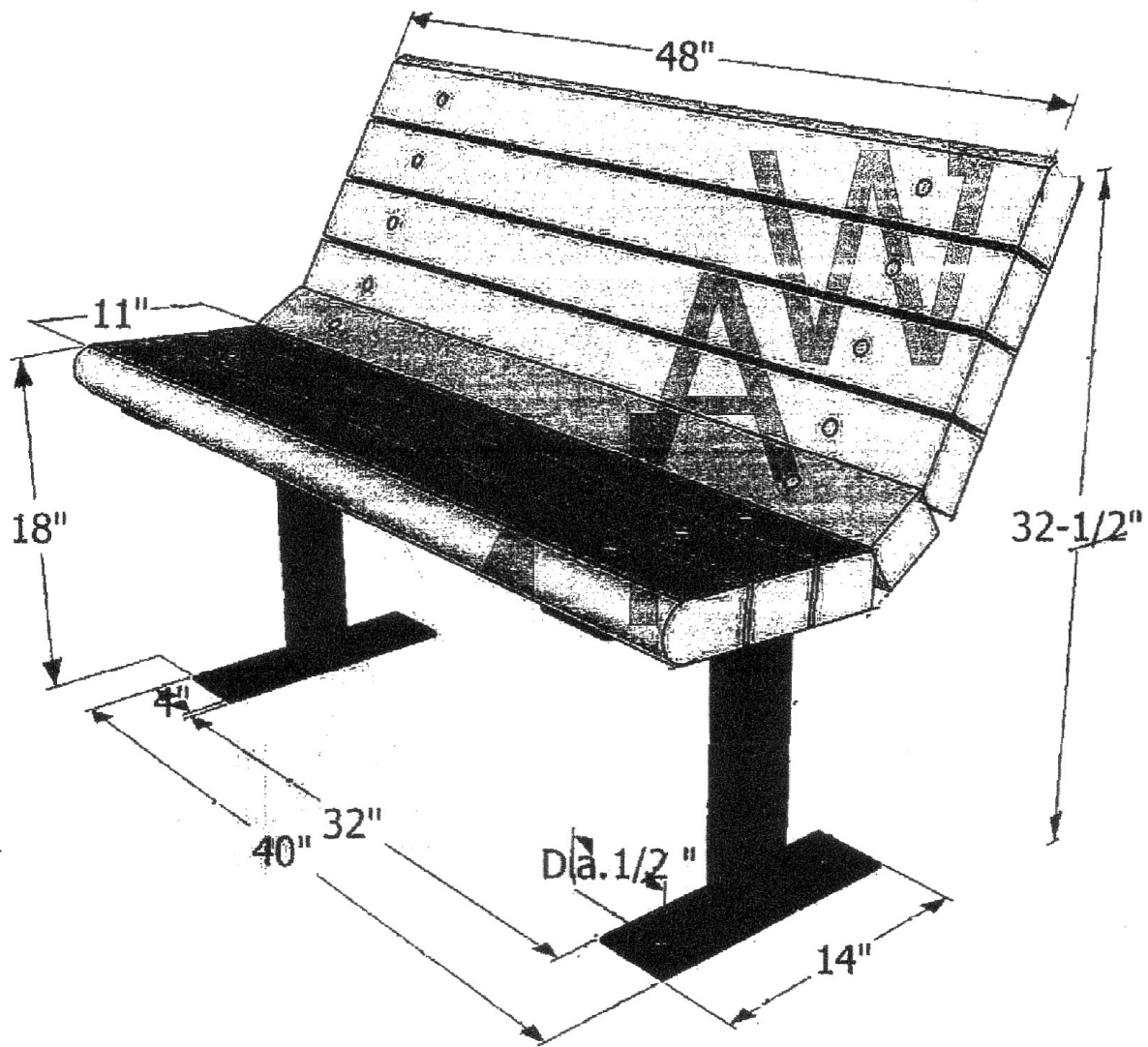
Cedar



Gray



Green



NATIONAL OUTDOOR FURNITURE, INC.
 1210 W. Main Street #296 Riverhead, NY 11901
 Toll-Free Phone: 1-888-663-4621
 Phone: 631-369-9099 Fax: 631-207-8312
 Email: nofinc@optonline.net
www.nationaloutdoorfurniture.com

NATIONAL OUTDOOR FURNITURE, INC.
 144 Murdock Road #325 Pomfret Center, CT 06259
 Toll-Free Phone: 1-888-516-8873
 Phone: 1-860-974-1551 Fax: 516-706-1901
 Email: nofinc@earthlink.net
www.nationaloutdoorfurniture.com